

Button Cordless Massagers



This toy gives remote control fun and fabulous stimulation at the touch of a button.. Award winning and recommended by C4's Sex Tips for Girls and Erotic toy winner with FHM, COSMO and Erotica, the operating range is up to 100 feet. Imagine the possibilities! The head is totally silent and fully waterproof. This stimulator is manufactured to European standards.

Congratulations on the purchase of your Remote Stimulator. At Button Toys we are dedicated to providing quality products that will bring you lots of fun. Please follow these simple instructions to get the most from your Button Toy. If you follow them you will enjoy many years of reliable service.

Warning: This is an adult novelty toy. Do not wear the toy in any situation where distraction could cause injury to yourself or others.

Batteries

- Always use alkaline batteries. Size. AAA which should be GP Ultra Digital or Duracell Ultra Digital. The key fob battery is Size 23A. Spare batteries are available from us or any reputable battery supplier
- Be careful to fit the batteries around the correct way as indicated in the battery compartment and as shown in the diagram opposite. Incorrect insertion of batteries may damage your massager and invalidate the warranty.
- If you are not intending to use the massager for some time then to protect the toy, it is a good idea to remove the batteries from the control unit.

Operation

- Switch the unit on by momentarily pressing the wake-up button on the side.
- The unit will stay awake for 40 minutes after the last button has been pressed. If it goes to sleep, it can be woken by pressing the button.
- Encourage your lover to not use high speed until you have got used to the sensations. Also encourage small bursts at the higher speeds.
- Note: Low batteries may cause reduced range or intermittent operation.

Caring for your massager

- Do not expose the control unit or remote control key fob to water, temperatures above 40°C or extreme shocks.
- Clean the massage head with a damp cloth.

How to wear the Oyster^{Max}

The control unit can be worn inside the front of your underwear, or if you prefer, you can attach the belt clip and hook the unit onto your waistband. The underwear you choose when wearing your Oyster or Oyster DUO will make all the difference to the experience. It works best if you wear underwear that is a snug fit.

- Hook the control unit onto your waistband and position the pink massage head in the correct spot between your underwear and your skin. The massage head should be aligned from front to back with the wire coming out of the front.
- Usually, as you become aroused, the Oyster presses the correct spot and causes stronger sensations.

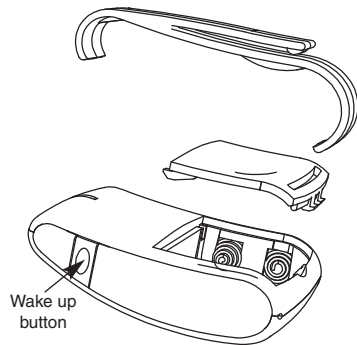
How to Wear The Oyster DUO^{Max}

In addition to the Oyster's pink massager, the DUO also has a teardrop massager to give an extra dimension to your stimulation.

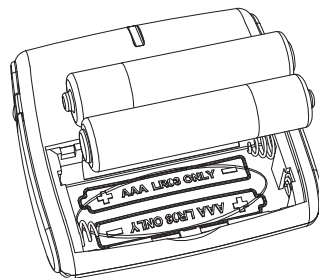
How to Wear The Octopus^{Max}

The Octopus has a massager in a soft and very flexible band to fit around the penis. Whatever the level of attention demanded, you can be assured that the Octopus always remains comfortable and in place. The commander has an extra silver bullet.

- The Octopus is very comfortable to wear and you will soon forget it is there until someone presses a button.
- Any type of underwear is suitable but beware loose shorts as they may give the game away!



Warning: Fitting batteries in the wrong polarity may damage your controller and invalidate the warranty.



Training

Note: New Toys are already trained!!

Your massager will remember your key fob if you teach it well. If you let the batteries run totally flat it may forget the identity of your key-fob and stop responding. All key fobs have a unique code. To teach the massager to obey your key fob follow these steps:

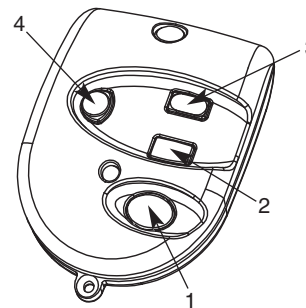
- Remove the battery cover and fit new batteries. Replace the cover.
- Plug in a message head.
- Leave the unit for 30 minutes without touching the wake-up button. Do not press any buttons on the remote control during this period.
- Press and HOLD down the wake up button for 25 seconds.
- Release the wake-up button.
- Press the large button (slow speed) on the remote key-fob.
- If the training is successful the massage head will activate for 2 seconds and then stop.
- The unit will go into sleep mode after storing the key-fob identity.
- Press the wake-up button to power up the control unit and test operation by pressing the buttons on the remote control.
- In the unlikely event that the unit fails to respond to the key-fob then wait 30 minutes and repeat the entire teach process.
- You can teach it to respond to up to 6 different key fobs.
- You can make your massager forget any associations by pressing and holding the wake-up button for 25 seconds (follow instructions above) release the button for a few seconds and then press and hold the wake-up button for 35 seconds. The unit will go to sleep and store the first key fob code that it receives after it is woken.

Oyster & Octopus

1. Slow
2. Medium
3. Fast
4. WOW!

DUO & Octopus Commander

1. Head 1 Slow
2. Head 1 Fast
3. Bullet Slow
4. Bullet Fast



Setting Massage Head Modes

The controller has two modes - Single message head mode (Oyster Nano) and twin message head mode (Oyster Max.). When you receive your massager it is pre-set to the correct mode for the massage head with which it was supplied. You can check the current setting by observing the speed of the power indicator flash: Every 1.5 seconds is Oyster mode, every 3 seconds is DUO mode. If you want to use the controller with the an alternative massage head the mode must be changed by pressing the buttons on the key-fob remote in a particular order immediately after power up or when the batteries have been fitted. You must press and hold down the wake-up button and then slowly press and release the key-fob buttons in the correct order as specified below:

- To Switch to DUO or Commander mode. (Twin Massage Heads). Remove the batteries and wait 30 seconds. Replace the batteries. Press and hold the wake-up button and slowly press the buttons in the following order on the remote key fob: 1-4-3-1-3-1 Release the wake-up button. The unit is now in Max mode.
- To Switch to Oyster mode (Single message head). Remove the batteries and wait 30 seconds. Replace the batteries. Press and hold the wake-up button and slowly press the buttons in the following order on the remote key-fob: 1-4-3-1-3-2 Release the wake-up button. The unit is now in Nano mode.

Troubleshooting

Flat Batteries cause the following: (i) No response (ii) the message only operates for a second and then stops (iii) the range is reduced (iv) the LED on the key fob fails to light.

I have changed the batteries and it still won't work:

- The batteries must be new quality alkaline cells. If in doubt replace the batteries.
- The Oyster needs training - follow the training instructions above.

